

Professional Series

Key Features:

- ▶ 15" Differential Drive® woofer for high-power capacity and very lightweight
- ▶ 1.5" annular polymer diaphragm compression driver
- ▶ Enclosure constructed of 18 mm plywood with rugged durable painting
- ▶ 70° x 60° coverage pattern for even and smooth response on and off axis
- ▶ Attractive 16 gauge protective screen backed steel grille
- ▶ Precision engineered crossover for optimal power response and performance in the vocal midrange region
- ▶ Single position pole socket for applications requiring pole mounting
- ▶ SonicGuard™ protects high frequency driver from excess power without interrupting the performance
- ▶ Rotatable JBL ENTERTAINMENT logo for easy coherence to your application



Applications:

- ▶ Karaoke sound reinforcement
- ▶ Bar and club live or pre-recorded sound reinforcement
- ▶ High-performance satellite speaker for use with subwoofers

The KP6015 is a premium high-output lightweight full-range loudspeaker.

The KP6015 uses a JBL 265H-1 380 mm (15 in) Differential Drive® woofer and a 2408H-1 37.5 mm (1.5 in) annular polymer diaphragm, neodymium compression driver for 350 watts power capacity. 70° x 60° coverage pattern provides smooth, even coverage whether used in the vertical or horizontal orientation. The high-slope passive network minimizes band overlap.

The enclosure is constructed of 18 mm multi-ply high quality plywood and finished in a durable black paint coating. The trapezoid enclosure is fitted with dual Neutrik NL4MP connector for loop thru connection, fifteen M10 threaded suspension points, four M10 screws for Karaoke bracket mounting, a 35 mm pole mount. It utilizes a 16 gauge protective screen backed steel grille to provide driver protection with a very professional appearance.

Specifications:

System:

System Type:	15", 2-way, bass-reflex
Frequency Range (-10 dB) ¹ :	70 Hz - 20 KHz
Frequency Response (±3 dB) ¹ :	82 Hz - 20 KHz
Sensitivity (1w/1m) ¹ :	99 dB
Nominal Impedance:	8 Ohms
Maximum SPL:	127 dB (133 dB peak)
Power Rating ² : (Continuous/Program/Peak)	350 W/700 W/1400 W
Coverage Pattern:	70° x 60° (H x V)

Physical:

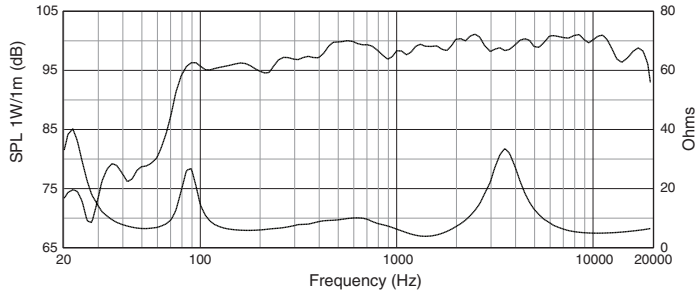
Dimensions (H x W x D):	680 mm x 430 mm x 430 mm 26.8 in x 16.9 in x 16.9 in
Net Weight:	19.9 Kg (43.9 lbs)
LF Driver:	1 x JBL 265H-1
HF Driver:	1 x JBL 2408H-1
Input Connectors:	2 x Neutrik® Speakon® NL4MP
Enclosure Construction:	Trapezoid, 18 mm, plywood

¹ Full space (4π) conditions

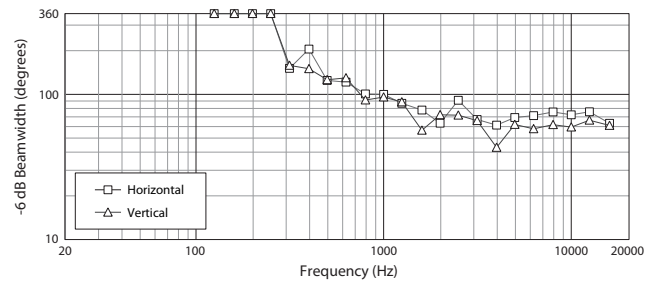
² IEC pink noise with 6 dB crest factor, in frequency range for 2 hours

▶ KP6015 15 Inch 2-Way Full Range Loudspeaker System

Frequency Response and Impedance:

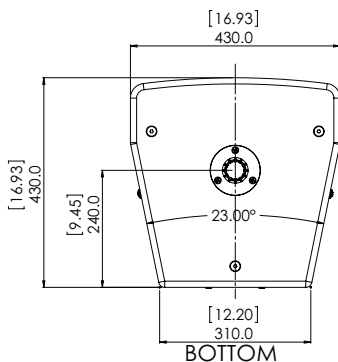
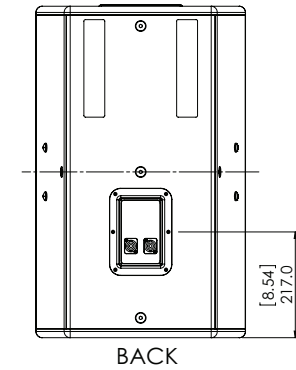
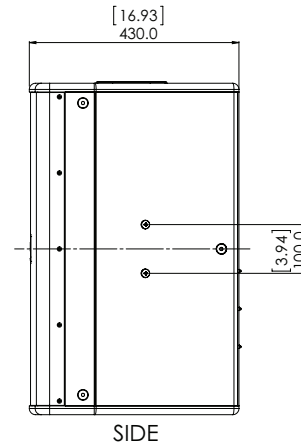
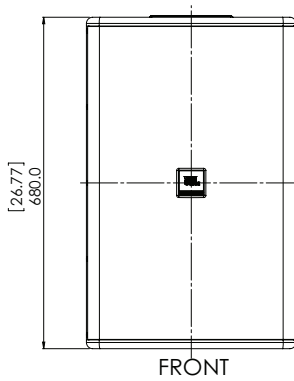
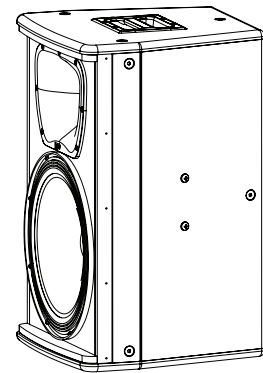
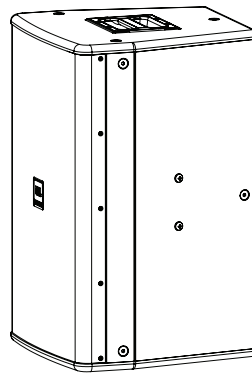
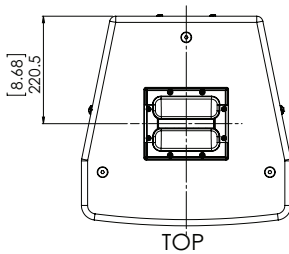


Beamwidth:



Dimensions:

Dimensions in mm (inch)



JBL Professional
 8500 Balboa Boulevard, P.O. Box 2200
 Northridge, California 91329 U.S.A.
 © Copyright 2013 JBL Professional
 www.jblpro.com

SSKP6015
 SZ
 10/13